

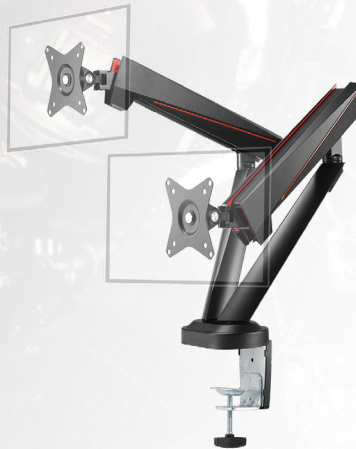
# Dual arm desk mount For 17"-32" monitors



- Swivel +90°-90°
- Rotate +180°-180°
- Cable management
- Tilt up & down +40°-40°



**DELTAACO GAMING**



## Dual desk mount arm GAM-102

### PRODUCT DATA

Category:	Gaming
Features:	Built-in cable management, clamp or grommet installation.
Swivel:	+ 90° - 90°
Tilt up & down:	+ 40° - 40°
Screen rotation:	+ 180° - 180°
Arm extension:	Up to 480 mm
VESA compatibility:	75 x 75, 100 x 100
Weight capacity:	0-8 kg per arm, 0-16 kg total

### LOGISTICS DATA

Article number:	GAM-102
Brand:	DELTAACO GAMING
EAN Code:	7333048045300
Country of origin:	China
Custom tariff number:	83024900
Master carton packing unit:	N/A
Master carton gross weight:	N/A
Master carton dimensions:	N/A
Package type:	Box
Package weight:	N/A
Package dimensions:	N/A

### PACKAGING

Package contents:	N/A
-------------------	-----



-Image may differ from the actual package

